



STATIONERY
and LEATHER

SUPERYACHT COLLECTION



The haute-couture of leather

MADE-TO-MEASURE, HAND-FINISHED,
BRANDED LEATHER ITEMS FOR SUPERYACHTS.

Our range of cabin accessories, tissue boxes, guest information folders, turn down trays, service items including placemats, coasters and barware make the journey that little bit more luxurious.

We can apply the same leather as featured in the yacht's interior or complementary colours and suede. All items can be foiled or embossed with the yacht's logo.



*Traditional
hand-pressed stationery*

ELEGANT AND CONTEMPORARY DESIGNS

Our designers combine contemporary designs with traditional printing processes to create elegant and eye-catching results.

Created to reflect the yacht's unique identity and styling, we use beautiful papers and tactile inks to produce an array of personalised stationery and accessories.



Our team have extensive experience working on yachts and kitting out private and charter new builds.

We provide a personal service and will work closely with you to help you decide on styles, quantities and finishes.



How to order

1. CHOOSE YOUR PRODUCTS.

Our superyacht specialist will guide you through options for sizes, finishes, quantities and branding.

2. RECEIVE A QUOTE.

S&L will provide a proposal with all your options itemised and quoted - with supply times. At this stage you can confirm the specifications for each product you would like to order.

3. CONFIRM PURCHASE ORDER.

Your PO will detail prices, specifications, quantities and time line for delivery. Please check all details.

4. PAY DEPOSIT INVOICE.

For all new clients we would require full payment in advance.

5. DESIGN.

S&L will design branding options and prepare print-ready artwork for you to sign off.

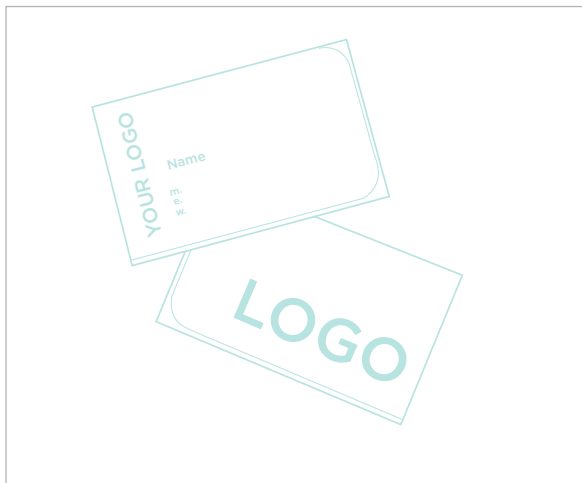
6. PRODUCTION & DELIVERY.

Your order is now in production! S&L endeavour to send your items as one delivery. and deliver globally.



STATIONERY

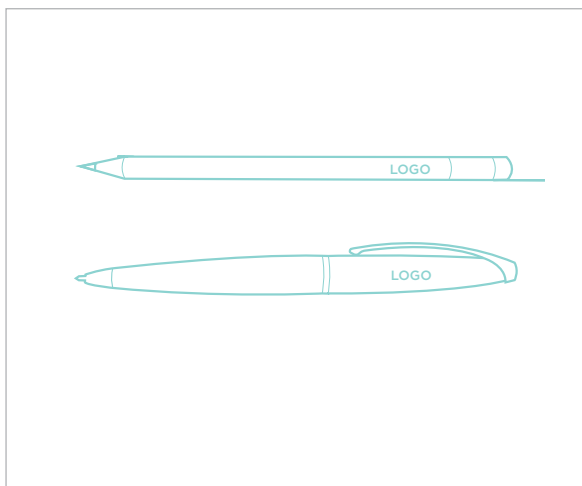
nb. Prices are approximations and vary depending on print finish and quantities.



BUSINESS CARD

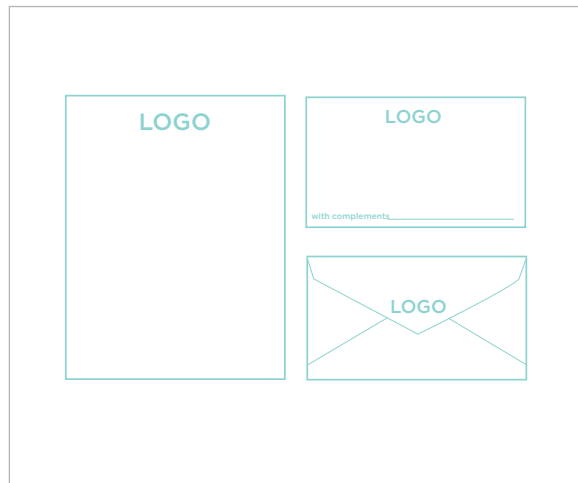
Letterpress, foil, embossing, with a vast choice of unusual, luxurious card.

Price: 30p-£1 per card



PEN & PENCIL

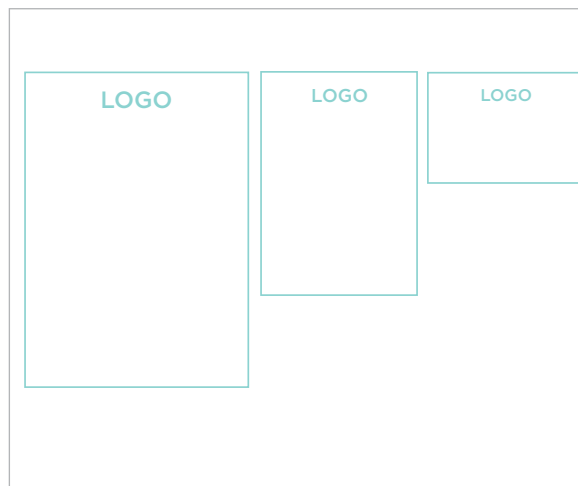
Price: x 1000 pencils 80p per pencil



STATIONERY SET

Personalised modern or classic yacht stationery.

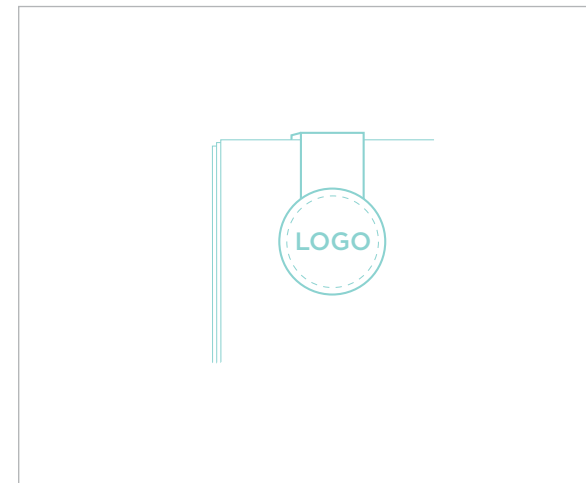
Prices: £1 per sheet



NOTE PADS

With printed, foiled or embossed logo.

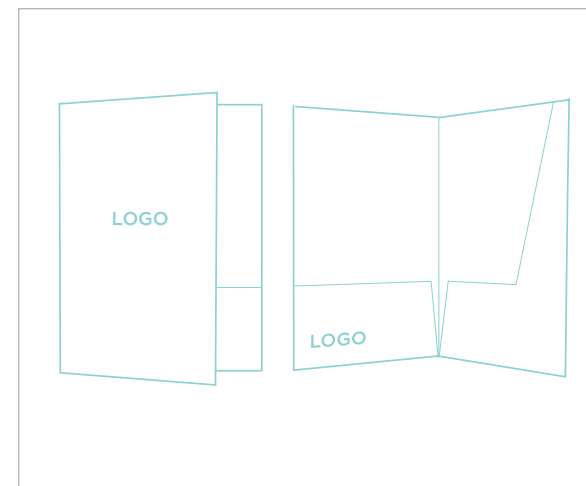
Price: 25 pads £350



STATIONERY ACCESSORIES

We will brand many accessories with the yacht's logo.

Please enquire

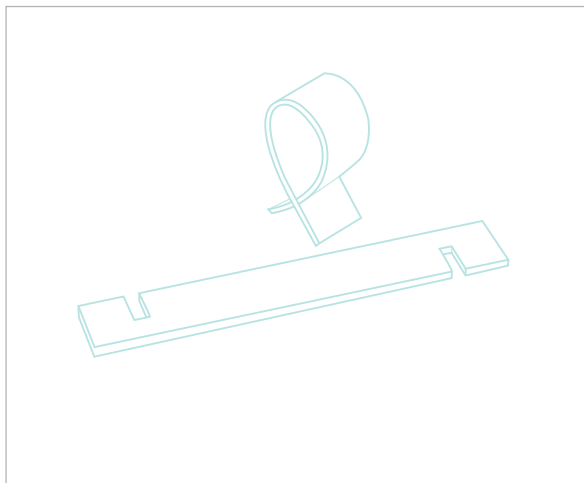


FOLDER

Laminated, printed, foiled or embossed.

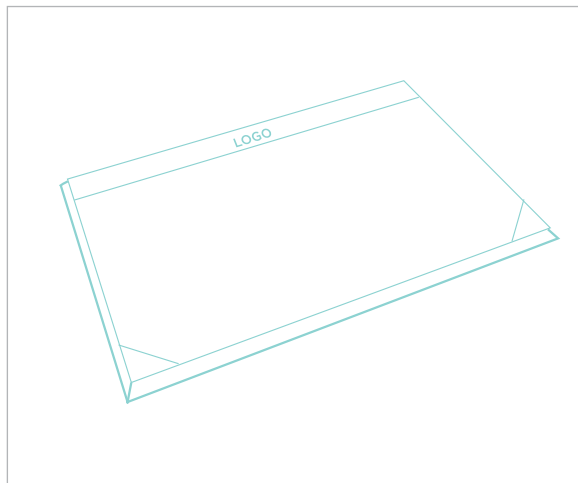
Price: 1000 folder £1800.00

LEATHER



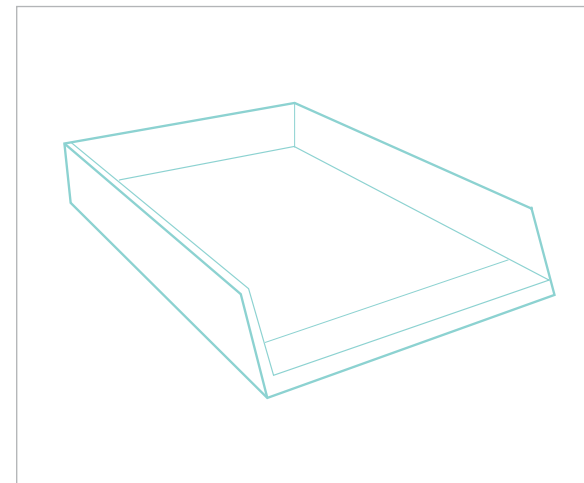
CABLE TIES

Unclutter desk areas and bedside tables with these smart cable ties in leather to match the interior



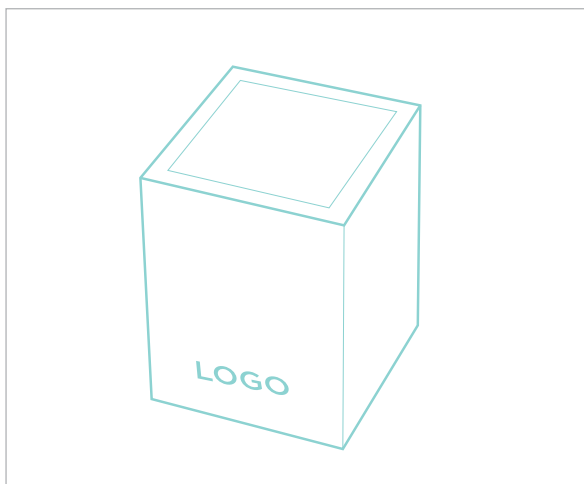
DESK BLOTTER

A key piece for any desk or study area; includes pockets for stationery & postcards
Price: £125 medium with 2 pockets min. x10



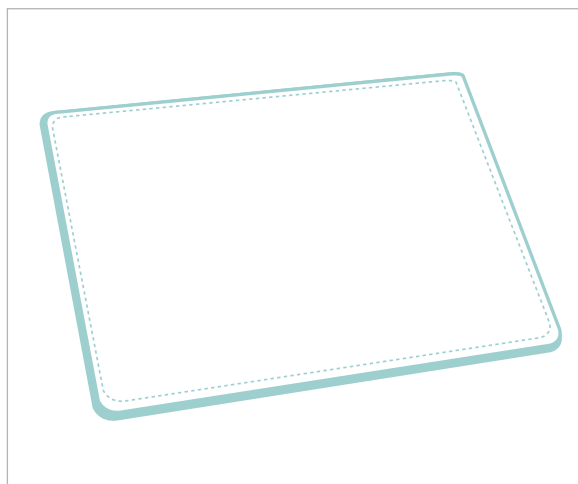
TRAY

Prioritise and organise using these handsome A4 desk trays
Price: £160 calf & suede A4 min. x10



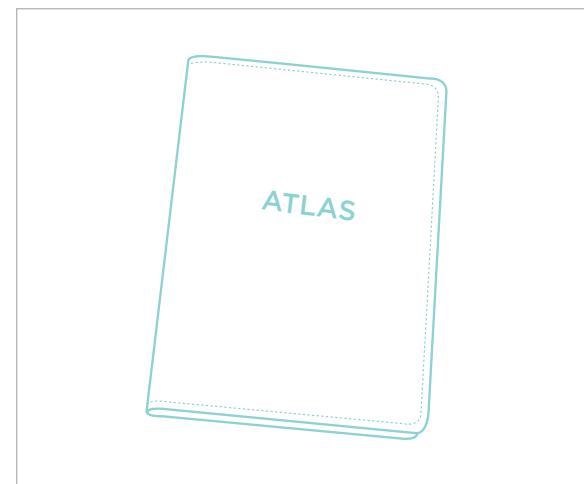
PEN POT

Keep ship shape and clutter free.
Price: £60 calf & suede min. x10



LEATHER MAT

Place mat, water jug mat - ideal for protecting fragile surfaces.
Price: Bridle leather and suede 21x18 x 10 £50



ATLAS

Calf's leather, foiled or embossed logo.
Price: £250

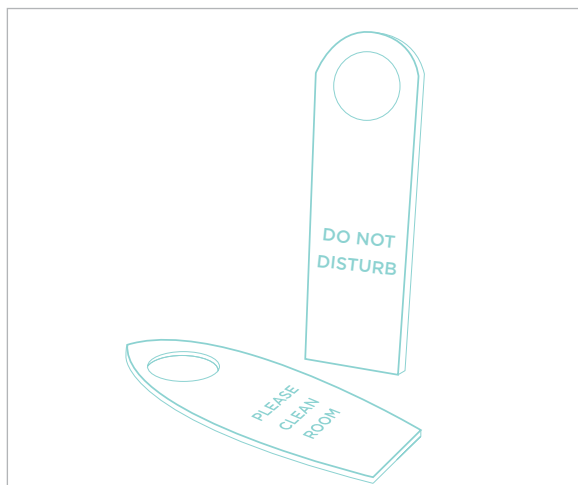
LEATHER



COASTERS

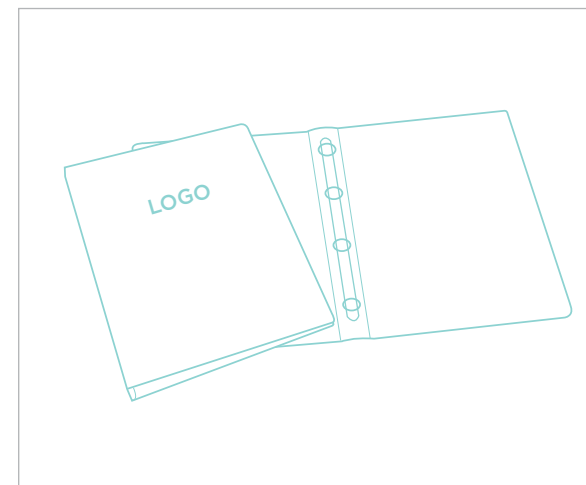
Bridle & real suede, in square or round format 11x11cm

Price: x25 £500



DO NOT DISTURB

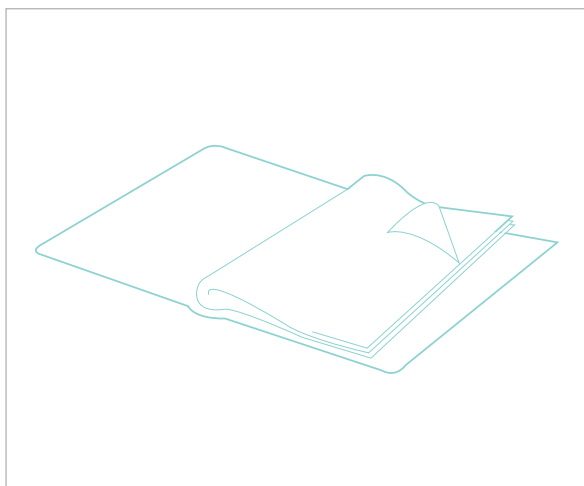
Multi purpose Do not Disturb tag, also useful to name and identify cabins for Guest orientation



GUEST INFORMATION FOLDER

Ring binder or concealed post binding. Bridle leather with suede interior

Price: £180 each



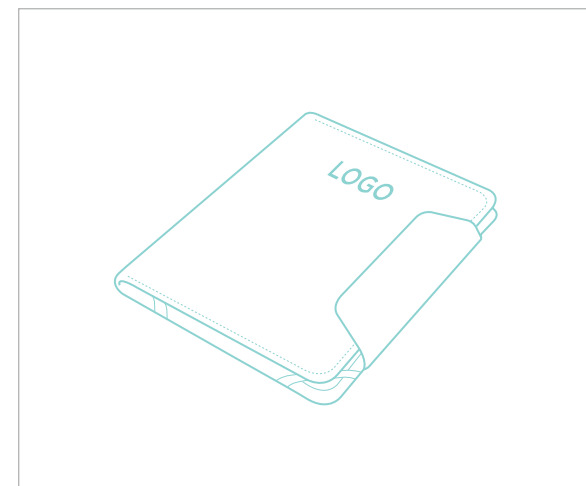
FOLDER WITH INSERTS



GUEST BOOK

Fill with momentos and messages from guests.

Price: Calf leather x5 £150 each



IPAD COVER

Ideal for cabin controls and gifts.

Price: £150 each min. x50

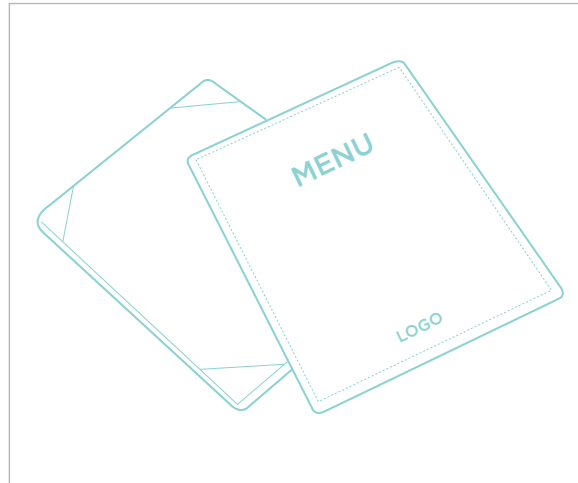
LEATHER



LUGGAGE TAG

Embossed or foiled logo

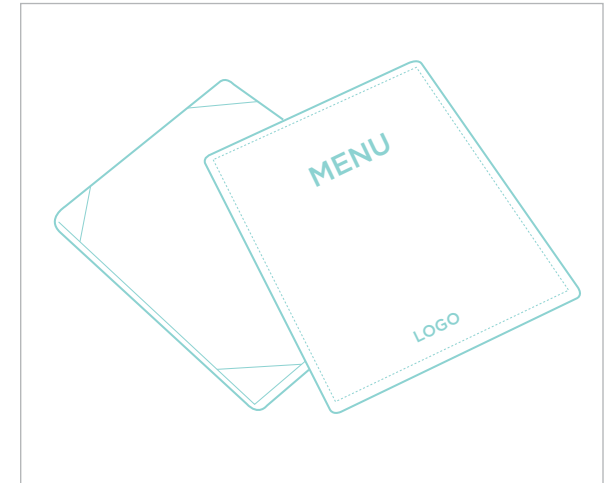
Price: x 25 £950



MULTI MENU HOLDER

Multipage Menu Presenters with single pocket inside left, to display paper

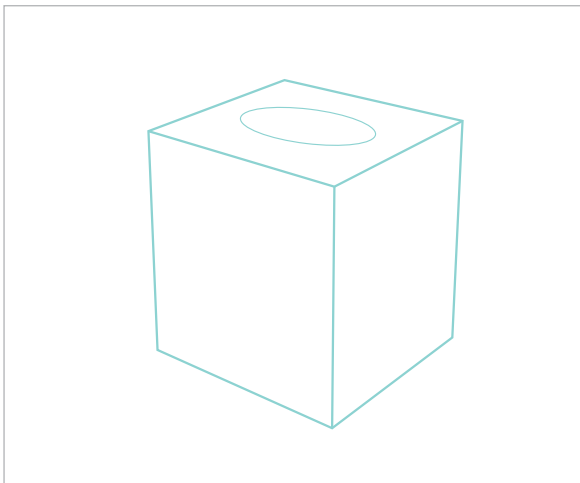
Price: A4 bridle leather and suede £150 each



SINGLE MENU HOLDER

A5 single sheet in bridle or calf leather

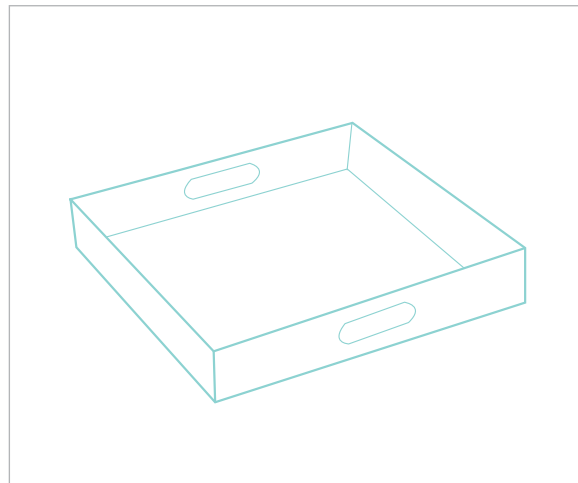
Price: x10 £80 each



TISSUE BOX

Coated in leather to match the interior, cube, standard, or man sized.

Price: x10 £126 each



TURN DOWN TRAY

Calf and real suede 40x20x4

Price: x10 £125 each

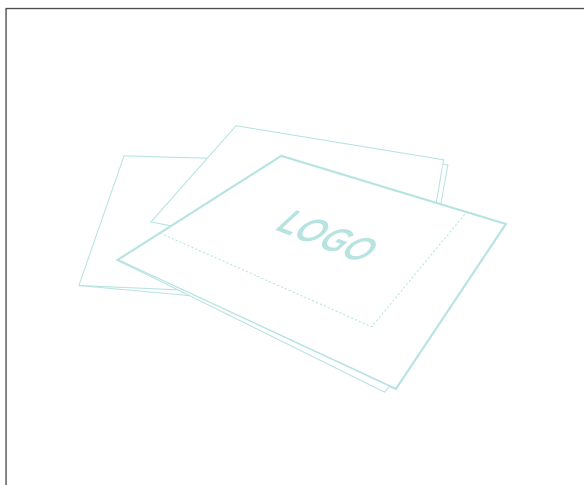


NOTE PAD HOLDER

Leather holder for notepads.

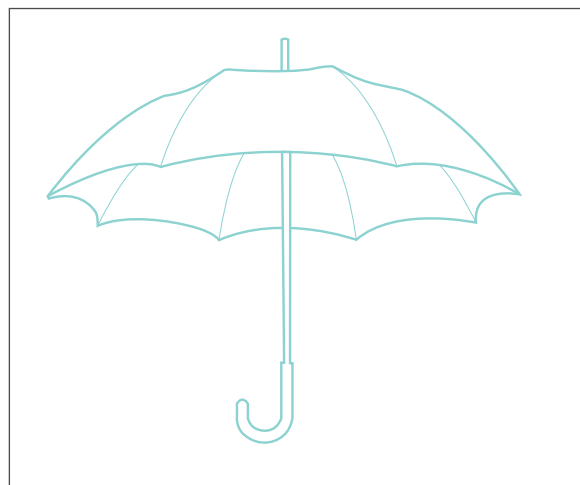
Price: A5 x 10 £90 each

ACCESSORIES



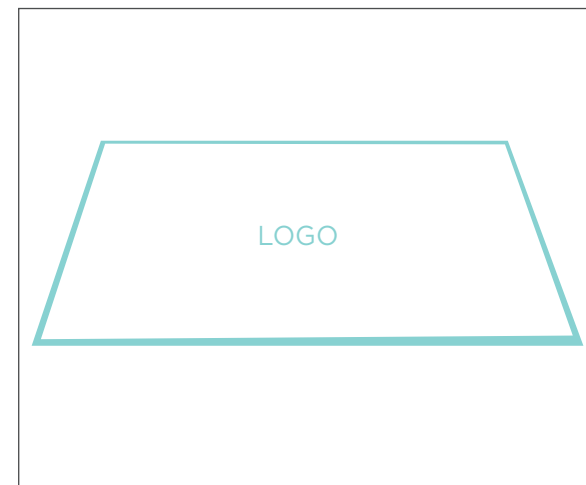
NAPKIN

All sizes, high quality with foiled logo



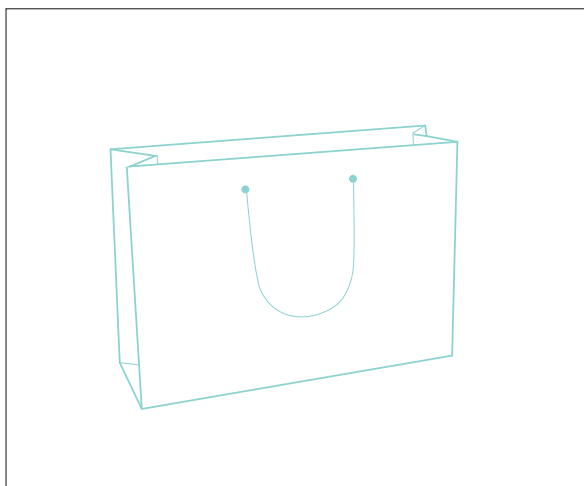
UMBRELLA

Coloured panels and printed with logo



DECK MAT

Carpet deck mat with rubber trim, available for docks, doorways, any bespoke size.



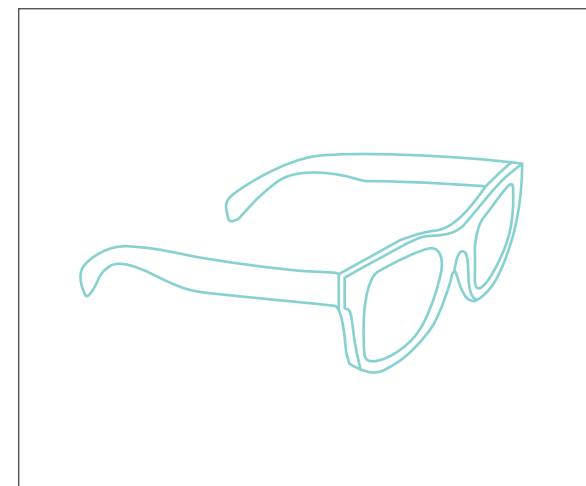
PAPER BAG

All sizes, laminated, with foil or printed logo



GIFTS

For gift ideas, please contact us
Photo frame, business card pouch, aide memoire, key fob, flask and wallet

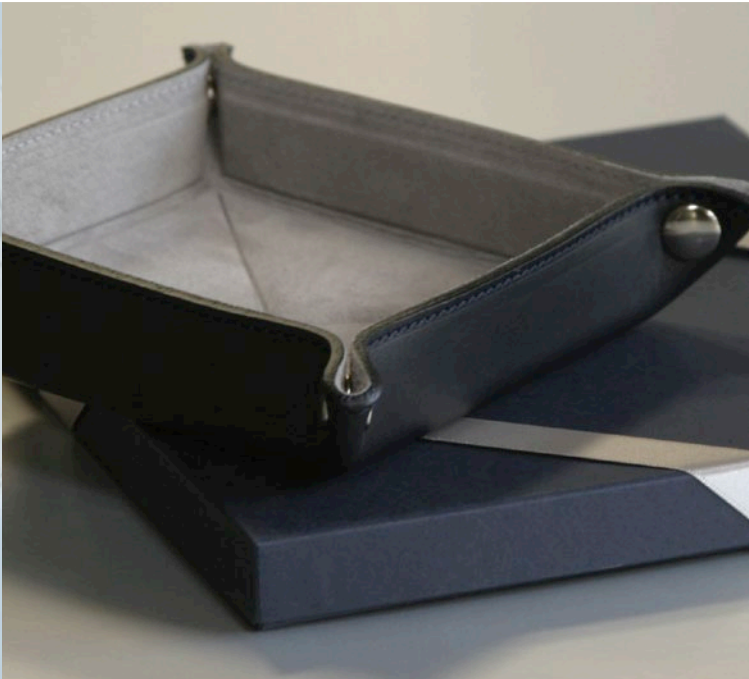


SUNGLASSES

Engraved with yacht's logo. Choose from a cool range of polarised or even wooden designer sunglasses.



Leather  samples





Paper  samples





info@stationeryandleather.com

www.stationeryandleather.com